



HAYNESPRO DATA ANGAJEAZA!

Ești o persoană dinamică, entuziasta și implicata?

Esti pasionat de Autovehicule/Motociclete/Camioane? Vino in echipa noastra si vei avea ocazia de a te dezvolta si perfectiona continuu in acest domeniu!

Nu ai nevoie de experienta ci doar de implicare si dorinta de a invata!

Cine suntem?

HaynesPro este cel mai important furnizor european de date tehnice pentru industria de automobile aftermarket. Suntem prezenti pe piata specifică cu produsele noastre inca din anul 1995.

Ce vei face?

Vei fi responsabil de conținutul tehnic al bazei de date, de colectarea si analizarea informatiilor tehnice originale si de procesarea acestora intr-un format standardizat, folosind software avansat.

De ce ai nevoie?

- Sa ai cunostinte auto sau studii de specialitate (Autovehicule Rutiere/Electrica/Electronica/Mecanica)
- Limba Engleza
- Orientat spre dezvoltare

Vei avea parte de:

- Program de lucru flexibil/remote
- Training-uri de specialitate
- Loc de munca atragator si modern
- O echipa motivata si prietenoasa
- Un contract de munca sigur si pe termen lung
- Pachet salarial atractiv incluzand bonusuri anuale
- Tichete de masa, cadou si vacanta
- Abonament medical – clinica privata

Trimite CV-ul tau! Asteptam cu nerabdare sa te cunoastem!

a.filipciuc@haynespro.com

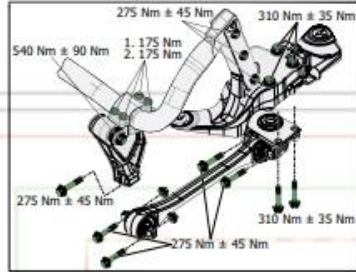
0724.473.686

Mihaela.Florea@haynespro.com

0742.327.898

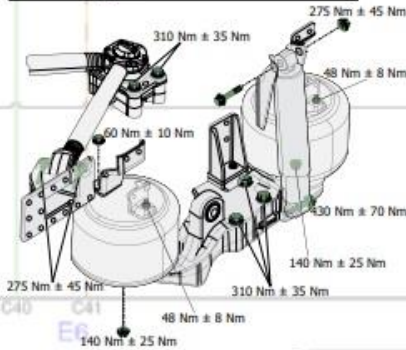
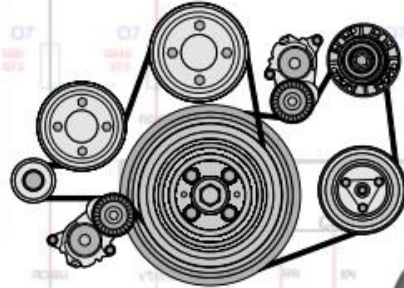


HaynesPro, part of Infopro Digital, is an innovative automotive data solutions and workflow provider. Through our qualified editorial and engineering staff we can provide up-to-date and high-quality technical information. At HaynesPro, we value open and honest communication and are committed to listening to our employees - their ideas make us better.



What you need to know/have:

- Technical degree in Mechanical/Electronics/Electrical/Automotive Engineering.
- Experience in Automotive Technical Data software or Parts Catalogues is a plus.
- Good English skills.



What's in it for you:

- We behave with integrity - we treat others as we would like to be treated.
- We know that our employees' work-life balance builds trust in our Company, that's why flexibility is at the core of our benefits and culture.
- So picture yourself at a great place to work, surrounded by young teams and people who challenge you, support you, and inspire you to be extraordinary.



Are you ready to grow ? Then join us!



mihaela.florea@haynespro.com
a.filpciuc@haynespro.com